

Borderless Shower Areas



TI-LINE changes a simple shower drain into the centrepiece of modern bathroom architecture. In this case less is much more. The TI-LINE shower drainage channel can be installed directly alongside the wall thanks to its patent flange. A watertight floor outlet can be enhanced by means of various designer grates or drainage inserts or can be incorporated directly into the tiling design. The TI-LINE shower drainage system thus sets new standards for floor level, barrier-free showers with quality design.

ALL PRODUCT ADVANTAGES AT A GLANCE

One system – 10 usages

Maximum of 4 modules: drainage channels, drains, frames (optional), covers. Channel and drain units form basis of the system. The visible modules allow 10 different designs to be created

Channel directly alongside the wall

- No problems with waterproofing between drainage channel and wall
- The floor only requires a gradient in one direction, so it is not necessary to cut tiles
- Easier to lay tiles, therefore better quality work possible
- The drainage channel is not in the standing area
- Better visual appearance – channel is linked to the wall, therefore no trough-like drainage slopes

Second drainage level in accordance with DIN 18195 – Part 5

Water cannot build up at the level of the sealing since any seepage is drained down the channel



DURAL GmbH & Co. KG

Postfach 1348

D-56403 Montabaur

Tel. +49 (0) 2602/9261-0

Fax +49 (0) 2602/9261-50

welcome@dural.de

Borderless Shower Areas

DURAL

Shallow installation height – ideal for building

- with odour-proof seal Installation height starting at 73.5 mm, drainage capacity: 0.6 l/sec.
- Easy to clean thanks to removable odour-proof seal
- Normal drainage outlet with odour-proof seal Installation height starting at 116 mm, drainage capacity: 0.8 l/sec.

With extra wide wall or floor flanges as standard (5.5 and 7.0 cm)

A very good, safe and long-lasting way to link the compound seals and the channel flanges, as specified in DIN 18195 (sealing of built-in fittings)

Quick and easy installation of drainage channels by attachment to wall

- The channel no longer moves after attachment to wall
- The channel continues to lay straight on the mortar beneath
- No fast-drying mortar (quick-bonding) required

Drainage channels in keeping with regulations (DIN EN 1253)

- Drainage capacity > 0.8 l/sec.
- Height of anti-odour seal = 50 mm, removable
- Direct access to drain pipe DN 50
- Link between drain casing and drain pipe via connecting collar (no screw threads)

Floor flange with edging at 45° angle

Good, stable connection between the materials of the channel itself and the adjoining sloping screed

Floor drain reduces noise conduction

Reduction of noise conduction thanks to all-round lip seal for casing and enclosing form (no gurgling)

Channel housing resistant to pressure as per weight resistance classification K3 (= 300 kg)

The high resistance of the drainage channel to pressure means that it can withstand wheelchairs – for example, even when wheeled along the channel



DURAL GmbH & Co. KG
Postfach 1348
D-56403 Montabaur
Tel. +49 (0) 2602/9261-0
Fax +49 (0) 2602/9261-50
welcome@dural.de

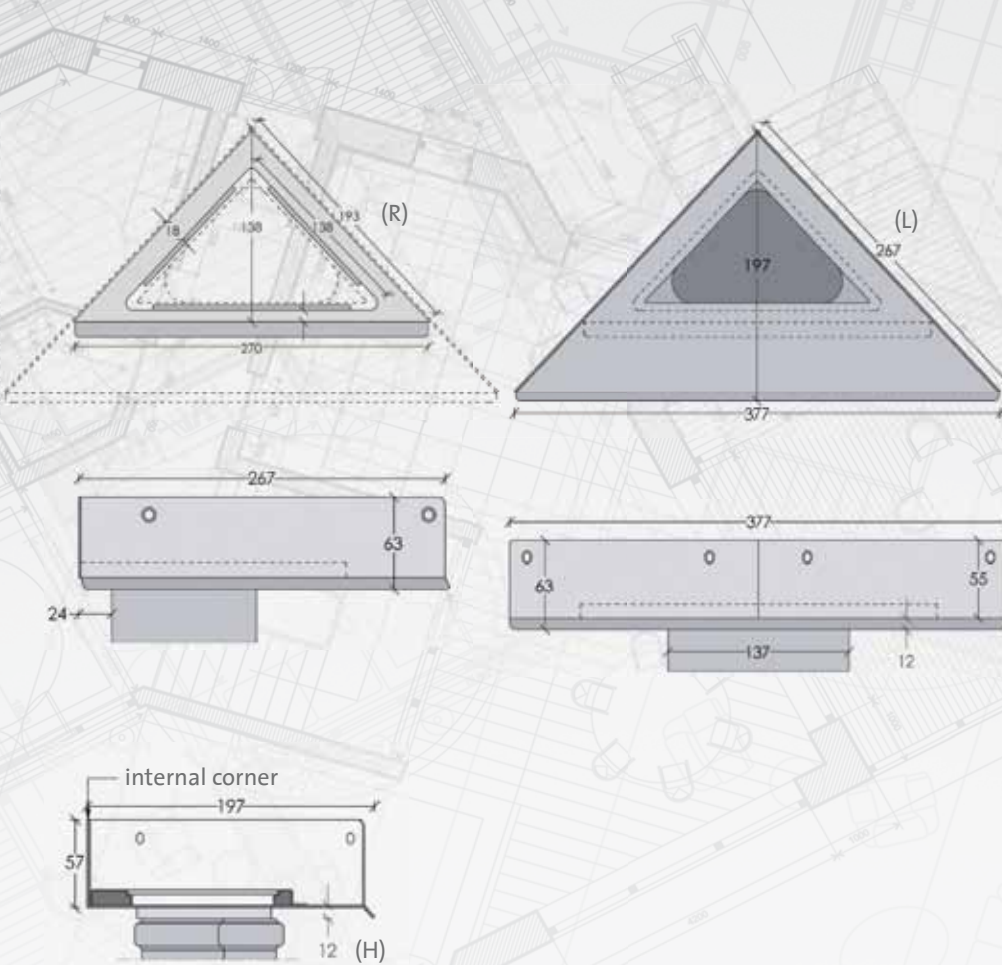
Proceeding from the fact that we exert no control over product application and workmanship, we cannot be held liable for the success or otherwise of workmanship and can therefore only provide guarantees for the structure and characteristics of our products as outlined in the product data sheet within the scope of our general terms and conditions of sale and delivery. The characteristics outlined here provide no guarantee with regard to the respective application. As a consequence of technological progress, changes may occur. Supplementary technical details given in advisory discussions require written confirmation. Colour illustrations are subject to typographical factors and may deviate from the original. We reserve the right to make alterations to product technology and design. Only the latest version of this data sheet shall be valid. The sheet is freely accessible on the internet. Once the updated data sheet has been published, all previous sheets shall become invalid.

TI-LINE

3/13

Corner "Triangle"

DURAL



PRODUCT DETAILS:

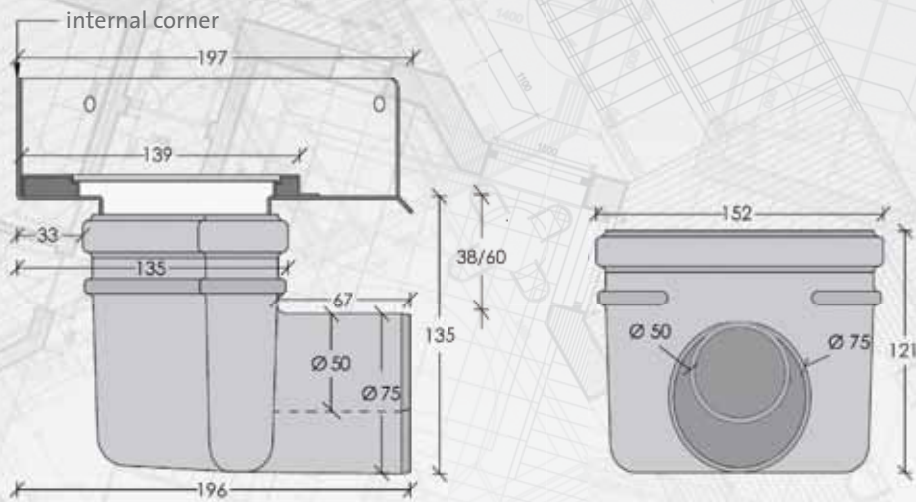
MODEL:	Corner Triangle, 200 mm			
MATERIAL:	Edelstahl (V2A)			
THICKNESS:	Body 1,5 mm			
DIMENSIONS:	L (mm)	R (mm)	H (mm)	Total construction height with corner drain (mm)
	267	193	12	135



DURAL GmbH & Co. KG
 Postfach 1348
 D-56403 Montabaur
 Tel. +49 (0) 2602/9261-0
 Fax +49 (0) 2602/9261-50
 welcome@dural.de

Corner drain

DURAL



PRODUCT DETAILS:

MATERIAL:	PP/EPDM	
DRAINAGE CAPACITY:	0,8 l/s	
USE WITH:	Corner	
DIMENSIONS:	Height drain (mm)	Total construction height (mm)
	121	135

DURAL GmbH & Co. KG
 Postfach 1348
 D-56403 Montabaur
 Tel. +49 (0) 2602/9261-0
 Fax +49 (0) 2602/9261-50
 welcome@dural.de

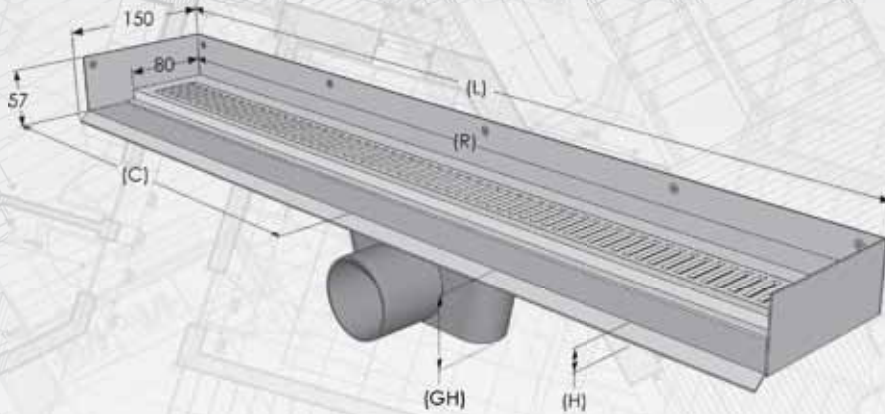
Proceeding from the fact that we exert no control over product application and workmanship, we cannot be held liable for the success or otherwise of workmanship and can therefore only provide guarantees for the structure and characteristics of our products as outlined in the product data sheet within the scope of our general terms and conditions of sale and delivery. The characteristics outlined here provide no guarantee with regard to the respective application. As a consequence of technological progress, changes may occur. Supplementary technical details given in advisory discussions require written confirmation. Colour illustrations are subject to typographical factors and may deviate from the original. We reserve the right to make alterations to product technology and design. Only the latest version of this data sheet shall be valid. The sheet is freely accessible on the internet. Once the updated data sheet has been published, all previous sheets shall become invalid.

TI-LINE

5/13

AF – Niche

DURAL



PRODUCT DETAILS:

MODEL:	AF-Niche
MATERIAL:	Stainless steel (V2A / AISI 304)
THICKNESS:	Body 1,5 mm

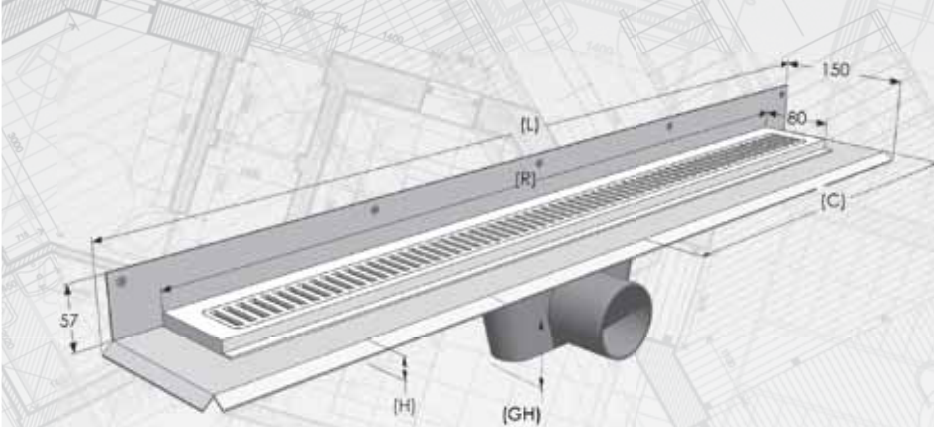
Length model	L (mm)	R (mm)	C (mm)	H (mm)	Construction height (GH) with Standard drain (mm)	Construction height (GH) flat drain (mm)
700 mm	702	695	351	17	121	78,5
800 mm	802	795	401	18	122	79,5
900 mm	902	895	451	19	123	80,5
1000 mm	1002	995	501	20	124	81,5



DURAL GmbH & Co. KG
 Postfach 1348
 D-56403 Montabaur
 Tel. +49 (0) 2602/9261-0
 Fax +49 (0) 2602/9261-50
 welcome@dural.de

WF – Wall Flange

DURAL



PRODUCT DETAILS:

MODEL:	WF – Wall Flange
MATERIAL:	Stainless steel (V2A / AISI 304)
THICKNESS:	Body 1,5 mm

Length model	L (mm)	R (mm)	C (mm)	H (mm)	Construction height (GH) with Standard drain (mm)	Construction height (GH) flat drain (mm)
300 mm	432	315	206	12	116	73,5
700 mm	812	695	396	17	121	78,5
800 mm	912	795	446	18	122	79,5
900 mm	1012	895	496	19	123	80,5
1000 mm	1112	995	546	20	124	81,5



DURAL GmbH & Co. KG
 Postfach 1348
 D-56403 Montabaur
 Tel. +49 (0) 2602/9261-0
 Fax +49 (0) 2602/9261-50
 welcome@dural.de

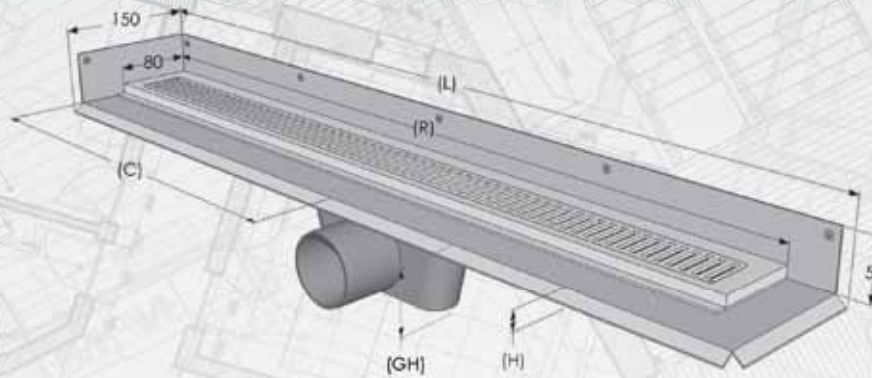
Proceeding from the fact that we exert no control over product application and workmanship, we cannot be held liable for the success or otherwise of workmanship and can therefore only provide guarantees for the structure and characteristics of our products as outlined in the product data sheet within the scope of our general terms and conditions of sale and delivery. The characteristics outlined here provide no guarantee with regard to the respective application. As a consequence of technological progress, changes may occur. Supplementary technical details given in advisory discussions require written confirmation. Colour illustrations are subject to typographical factors and may deviate from the original. We reserve the right to make alterations to product technology and design. Only the latest version of this data sheet shall be valid. The sheet is freely accessible on the internet. Once the updated data sheet has been published, all previous sheets shall become invalid.

TI-LINE

7/13

LF – left fixed

DURAL



PRODUCT DETAILS:

MODEL:	LF – left fixed
MATERIAL:	Stainless steel (V2A / AISI 304)
THICKNESS:	Body 1,5 mm

Length model	L (mm)	R (mm)	C (mm)	H (mm)	Construction height (GH) with Standard drain (mm)	Construction height (GH) flat drain (mm)
700 mm	757	695	351	17	121	78,5
800 mm	857	795	401	18	122	79,5
900 mm	957	895	451	19	123	80,5
1000 mm	1057	995	501	20	124	81,5



Verfügbare Rahmenstärke

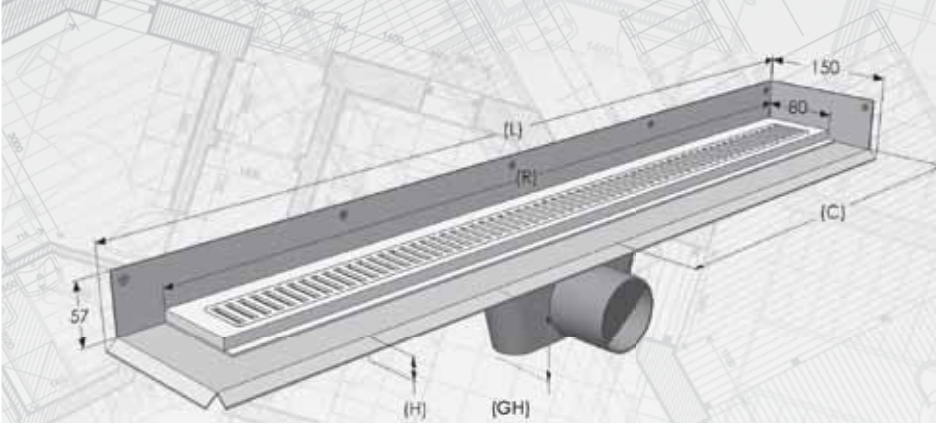
DURAL GmbH & Co. KG
 Postfach 1348
 D-56403 Montabaur
 Tel. +49 (0) 2602/9261-0
 Fax +49 (0) 2602/9261-50
 welcome@dural.de

TI-LINE

8/13

RF – right fixed

DURAL



PRODUCT DETAILS:

MODEL:	RF – right fixed
MATERIAL:	Stainless steel (V2A / AISI 304)
THICKNESS:	Body 1,5 mm

Length model	L (mm)	R (mm)	C (mm)	H (mm)	Construction height (GH) with Standard drain (mm)	Construction height (GH) flat drain (mm)
700 mm	757	695	351	17	121	78,5
800 mm	857	795	401	18	122	79,5
900 mm	957	895	451	19	123	80,5
1000 mm	1057	995	501	20	124	81,5



DURAL GmbH & Co. KG
 Postfach 1348
 D-56403 Montabaur
 Tel. +49 (0) 2602/9261-0
 Fax +49 (0) 2602/9261-50
 welcome@dural.de

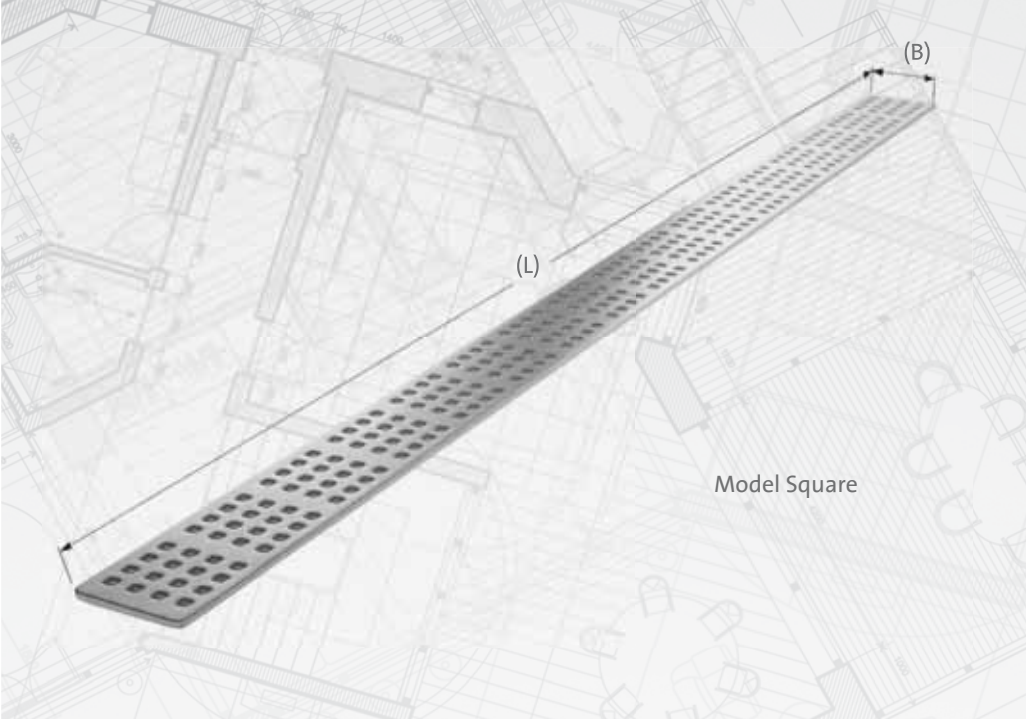
Proceeding from the fact that we exert no control over product application and workmanship, we cannot be held liable for the success or otherwise of workmanship and can therefore only provide guarantees for the structure and characteristics of our products as outlined in the product data sheet within the scope of our general terms and conditions of sale and delivery. The characteristics outlined here provide no guarantee with regard to the respective application. As a consequence of technological progress, changes may occur. Supplementary technical details given in advisory discussions require written confirmation. Colour illustrations are subject to typographical factors and may deviate from the original. We reserve the right to make alterations to product technology and design. Only the latest version of this data sheet shall be valid. The sheet is freely accessible on the internet. Once the updated data sheet has been published, all previous sheets shall become invalid.

TI-LINE

9/13

Grate Classic

DURAL



PRODUCT DETAILS:

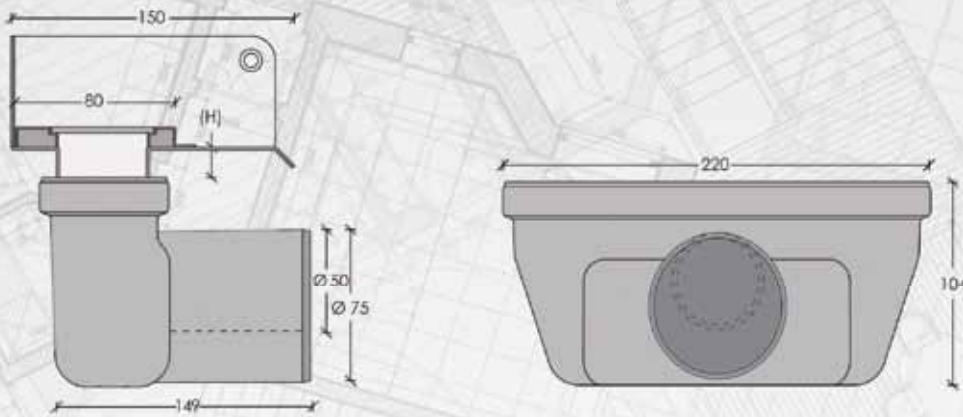
MODEL:	Grate Classic
MATERIAL:	Stainless steel brushed (V2A / AISI 304)

Use with model	Grate length (mm)	Grate width (mm)
300 mm	280	51
700 mm	660	51
800 mm	760	51
900 mm	860	51
1000 mm	960	51

DURAL GmbH & Co. KG
 Postfach 1348
 D-56403 Montabaur
 Tel. +49 (0) 2602/9261-0
 Fax +49 (0) 2602/9261-50
 welcome@dural.de

Standard drain

DURAL



PRODUCT DETAILS:

MODEL:	Standard drain
MATERIAL:	PP/EPDM
DRAINAGE CAPACITY:	0,8 l/s

Use with model	Height drain (mm)	Total construction height (mm)
300 mm	104	116
700 mm	104	121
800 mm	104	122
900 mm	104	123
1000 mm	104	124

DURAL GmbH & Co. KG
 Postfach 1348
 D-56403 Montabaur
 Tel. +49 (0) 2602/9261-0
 Fax +49 (0) 2602/9261-50
 welcome@dural.de

Proceeding from the fact that we exert no control over product application and workmanship, we cannot be held liable for the success or otherwise of workmanship and can therefore only provide guarantees for the structure and characteristics of our products as outlined in the product data sheet within the scope of our general terms and conditions of sale and delivery. The characteristics outlined here provide no guarantee with regard to the respective application. As a consequence of technological progress, changes may occur. Supplementary technical details given in advisory discussions require written confirmation. Colour illustrations are subject to typographical factors and may deviate from the original. We reserve the right to make alterations to product technology and design. Only the latest version of this data sheet shall be valid. The sheet is freely accessible on the internet. Once the updated data sheet has been published, all previous sheets shall become invalid.

TI-LINE

11/13

Flat drain

DURAL



PRODUCT DETAILS:

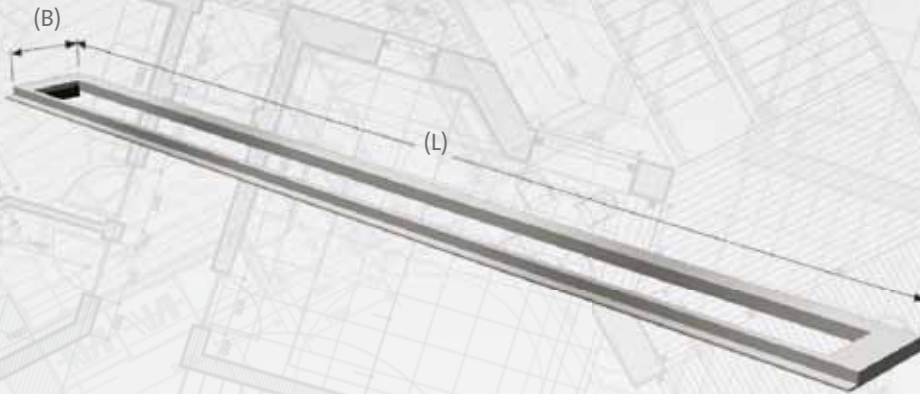
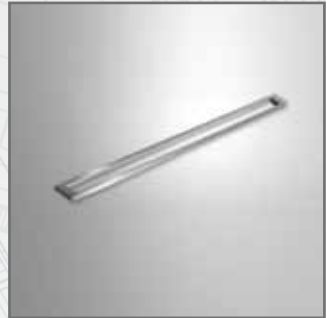
MODEL:	Flat drain
MATERIAL:	PP/EPDM
DRAINAGE CAPACITY:	0,8 l/s

Use with model	Height drain (mm)	Total construction height (mm)
300 mm	61,5	73,5
700 mm	61,5	78,5
800 mm	61,5	79,5
900 mm	61,5	80,5
1000 mm	61,5	81,5

DURAL GmbH & Co. KG
 Postfach 1348
 D-56403 Montabaur
 Tel. +49 (0) 2602/9261-0
 Fax +49 (0) 2602/9261-50
 welcome@dural.de

Frame Design Highline

DURAL



PRODUCT DETAILS:

MODEL:	Frame Design Highline
MATERIAL:	Solid stainless steel (AISI 304)

Use with model	Length Frame (mm)	Width Frame (mm)
700 mm	695	74
800 mm	795	74
900 mm	895	74
1000 mm	995	74



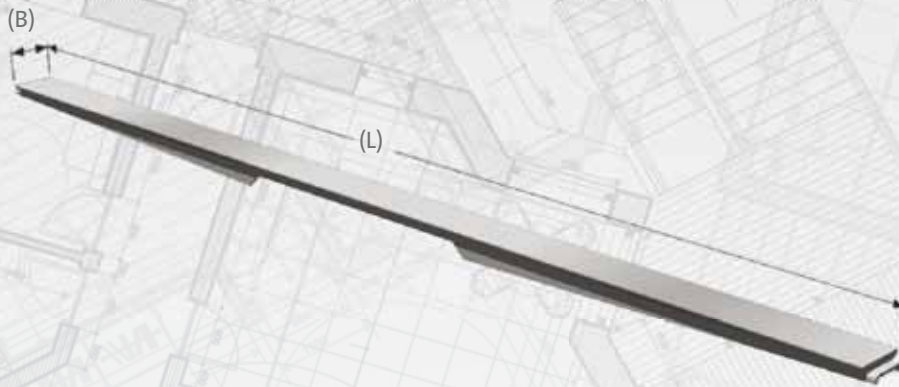
DURAL GmbH & Co. KG
Postfach 1348
D-56403 Montabaur
Tel. +49 (0) 2602/9261-0
Fax +49 (0) 2602/9261-50
welcome@dural.de

Proceeding from the fact that we exert no control over product application and workmanship, we cannot be held liable for the success or otherwise of workmanship and can therefore only provide guarantees for the structure and characteristics of our products as outlined in the product data sheet within the scope of our general terms and conditions of sale and delivery. The characteristics outlined here provide no guarantee with regard to the respective application. As a consequence of technological progress, changes may occur. Supplementary technical details given in advisory discussions require written confirmation. Colour illustrations are subject to typographical factors and may deviate from the original. We reserve the right to make alterations to product technology and design. Only the latest version of this data sheet shall be valid. The sheet is freely accessible on the internet. Once the updated data sheet has been published, all previous sheets shall become invalid.

TI-LINE

13/13

Cover Design Highline



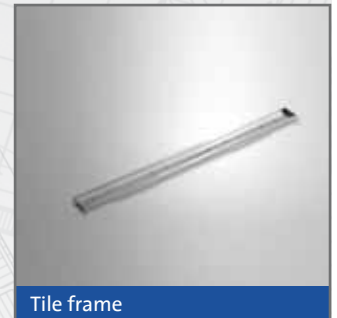
PRODUCT DETAILS:

MODEL:	Cover Design Highline
MATERIAL:	Solid stainless steel (AISI 304)

Use with model	Length Cover (mm)	Width Cover (mm)
700 mm	632,5	37
800 mm	732,5	37
900 mm	832,5	37
1000 mm	932,5	37



DURAL



Tile frame



Stainless steel



Tile support



Corian® schwarz



Corian® rot

DURAL GmbH & Co. KG
 Postfach 1348
 D-56403 Montabaur
 Tel. +49 (0) 2602/9261-0
 Fax +49 (0) 2602/9261-50
 welcome@dural.de