

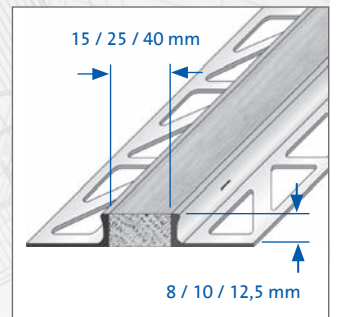
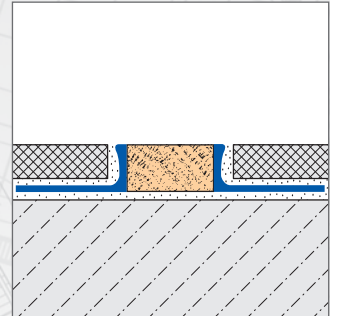
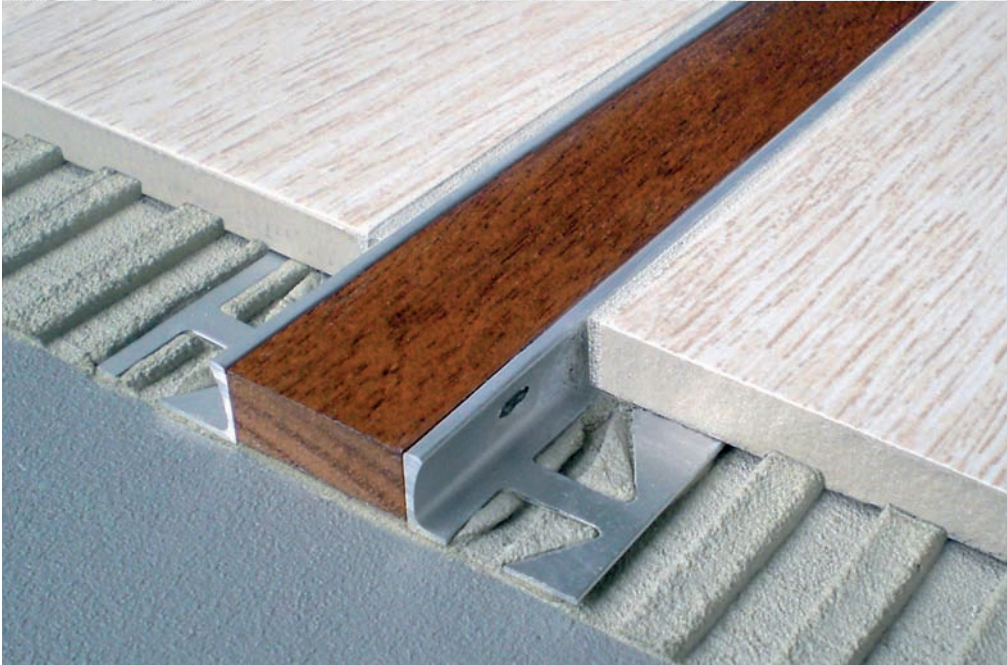
Since the usage and finishing of the product is not under our control, we accept no liability for the success of the work and can therefore only guarantee the nature of our products as per the accompanying product data sheets and in accordance with our general terms and conditions of sale. The properties listed here represent no guarantee with respect to the eventual use of our products. We reserve the right to make changes due to technical advances. Any other technical information given in the course of a consultation must be confirmed in writing. Colours shown here are restricted by the printing techniques and may differ from those exhibited by the products themselves. We also reserve the right to make alterations to the product technology or design. Only the current version of this data sheet is valid. Such versions are accessible by anyone via the internet. The issue of the latest data sheet invalidates all those that have been published beforehand.

# DURALIS WOOD

1/4

## Listello profiles with wooden insert (Deco profiles for wall and floor)

**DURAL**



### APPLICATION:

DURALIS WOOD profiles are highly attractive, decorative profiles for use with tiled walls and floors or with natural stone or terra cotta. DURALIS WOOD profiles may be used in many applications but are primarily intended for indoor use in dry domestic, public or commercial buildings, where they are not subjected in the long term to any physical or chemical stresses of a medium to severe nature. The installation of DURALIS WOOD in conjunction with floors or walls that are subjected to contact with water may, in some applications and subject to the nature of subsequent use, lead to deterioration of the profile and flooring.

### NOTES REGARDING WOOD:

Wood is a living material that reacts to changes in temperature and dampness by expanding and contracting. Various factors can bring about changes to indoor wooden surfaces in the course of their useful life (e.g. fading of dark woods in strong sunlight in southern or south western regions). In locations that are heavily and directly affected by moisture, wood surfaces must be adequately protected (e.g. with varnish) from penetration by damp in accordance with DIN 68800-2 (Protection of wood, preventive measures during the construction of buildings). Damage through the incidence of fungi that are destructive to wood can be prevented if damp rooms have sufficient ventilation, with the moisture level in the wood not exceeding 20% over the long term.

DURAL GmbH & Co. KG

Südring 11

D-56412 Ruppach-Goldhausen

Tel. +49 (0) 2602/9261-0

Fax +49 (0) 2602/9261-50

welcome@dural.de

# DURALIS WOOD

2/4

**DURAL**

## Listello profiles with wooden insert (Deco profiles for wall and floor)

### BEFORE INSTALLATION:

Check the DURALIS WOOD profiles for any surface damage before installation. Check for any anomalies in colour or grain and that the profile is straight. Before the profile is installed, the back of the wood inlay must be coated with suitable solvent-free primer as specified by the manufacturer and allowed to dry for the prescribed period.

### INSTALLATION:

The profiles are installed at the same time as the tiles are laid. We recommend attaching the profiles with a quick-bonding flexible mortar conforming to DIN EN 12004, with the mortar to be applied over the entire surface. A gap of 2 to 3 mm should be left between the tiles and the Duralis Wood profile, which should subsequently be filled with conventional grout during the grouting process. Alternatively, if appropriate for the conditions at the building site, the gap may be filled with silicone sealant. For technical and aesthetic reasons, profiles should always be installed so that they are flush with the tile floor surface.

When laying several lengths of profile, make sure that the profiles are all laid in the same direction, the profiles are laid close together with no gaps and where possible, the direction of the grain should be kept consistent.

At interior and exterior corners, profiles should simply be laid next to each another with mitering, taking into account the width of the vertical junction. Remaining gaps should be filled with a suitable elastic sealant compound that is silicone oil-free (e.g. natural stone silicone). Where expansion joints already exist in the flooring, in doorways, or if total length is more than 8 m (or less than 8 m, depending on conditions at building site), a space for expansion should be left at a suitable place in the DURALIS WOOD profile installation.

### CUTTING PROFILES TO LENGTH:

Profiles should be cut to length on site with a suitable hand saw with a fine blade (such as an iron hacksaw). It is not recommended that an angle grinder be used for this purpose, at least not on the wood surface (the heat generated may cause colour anomalies).

# DURALIS WOOD

3/4

**DURAL**

## Listello profiles with wooden insert (Deco profiles for wall and floor)

### CARE AND MAINTENANCE:

DURALIS WOOD tile profiles primarily consist of various solid hardwoods which feature outstanding characteristics with regard to use, toughness, physical building properties and appearance.

Such benefits of the product can be enhanced by proper treatment of the surface and retained by high-quality care and maintenance. Proper use of whichever wood care method you choose is essential to the functional life and attractive appearance of the wood exterior.

DURALIS WOOD tile profiles have already been treated with oil at the factory and the surface of the wood is intended to be highly robust and easy to maintain. Such oiled wood products are generally very low-maintenance if treated correctly.

DURALIS WOOD products do not require any initial treatment after installation due to the pre-treatment they receive at the factory.

Depending on where they are used and how much they are subjected to wear, in a flooring installation for example, it will nevertheless prove essential to provide appropriate maintenance at suitable regular intervals.

Recommendations for the product: cleaning products should be used which have been tested and shown to be non-toxic to human beings and the environment (e.g. bearing certification by the German quality association for wood treatment products "RAL-GZ 830").

### A variety of wood treatment products can be used for regular cleaning including the following:

- Various non-dyed bees' wax products.
- Washing with suitable, non-dyed detergents for wooden flooring (solvent-free and with no added aromatics).
- Suitable wood treatment oils appropriate for the type of wood in question.

### How often is cleaning necessary?

As a rule of thumb, washing should be carried out once a month. If the profiles are in a location where they suffer little wear, this can be done less often, but if they are subject to greater wear, the intervals should be shorter.

## Listello profiles with wooden insert (Deco profiles for wall and floor)

### What NOT to do:

- Never use microfibres.
- Never mop with pure water only (this may remove the existent treatment).
- Do not apply wood detergent solutions to the profiles without wiping them off immediately.
- Never use acidic or highly alkaline cleaning agents.
- Never use any cleaning agents on wood that is wet or damp.

### Stain removal:

Special cleaners for wood surfaces can be used to remove stains (depending on the nature of the stain). It may be necessary to treat the wood afterwards with wood oil or bees' wax.

Water stains can often be removed by means of slightly diluted wood detergent or wood oil.

When removing stains, it may be necessary to clean and treat (e.g. with oil or wax) the entire surface of the wood rather than concentrating solely on the affected area in order to avoid variations in colour.

### Observe manufacturers' recommendations:

When using any kind of wood treatment product in conjunction with Duralis Wood, it is essential to observe the recommendations of the product manufacturers. No claims for compensation from Dural GmbH & Co. KG resulting from care and maintenance of Duralis Wood tile profiles will be accepted by the company.

## PRODUCT DATA:

<b>PROFILE DESIGN:</b>	Decorative profile with solid wood inlay mechanically attached at the sides to DUROSOL aluminium profiles.
<b>VARIETIES OF WOOD INLAY:</b>	maple, mahogany, walnut and wengé (African rosewood)
<b>WOOD FINISH:</b>	Supplied lightly oiled in accordance with DIN 68800-2 (protection of wood) with removable, transparent protective foil
<b>TOTAL WIDTH OF PROFILE:</b>	20 mm, 30 mm and 45 mm
<b>WIDTH OF WOOD INLAY:</b>	15 mm, 25 mm and 40 mm
<b>HEIGHT OF PROFILE:</b>	8 mm, 10 mm and 12,5 mm
<b>LENGTH OF PROFILE:</b>	250 cm

DURAL GmbH & Co. KG

Südring 11

D-56412 Ruppach-Goldhausen

Tel. +49 (0) 2602/9261-0

Fax +49 (0) 2602/9261-50

welcome@dural.de