

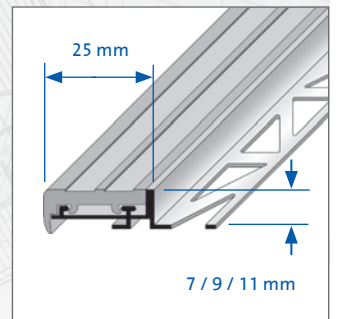
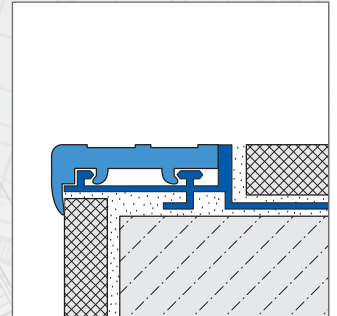
Since the usage and finishing of the product is not under our control, we accept no liability for the success of the work and can therefore only guarantee the nature of our products as per the accompanying product data sheets and in accordance with our general terms and conditions of sale. The properties listed here represent no guarantee with respect to the eventual use of our products. We reserve the right to make changes due to technical advances. Any other technical information given in the course of a consultation must be confirmed in writing. Colours shown here are restricted by the printing techniques and may differ from those exhibited by the products themselves. We also reserve the right to make alterations to the product technology or design. Only the current version of this data sheet is valid. Such versions are accessible by anyone via the internet. The issue of the latest data sheet invalidates all those that have been published beforehand.

# DURASTEP Standard

1/2

Anti-slip step nosing for ceramic tiles  
Width: 25 mm

**DURAL**



## APPLICATION:

DURASTEP Standard profiles made by Dural are especially resistant staircase profiles for the domestic area. They are provided with a complete insert of PVC and have an anti-skid tread surface. This profile is available in five colours. The profiles are tightly imbedded into the lining, the tread surfaces however, can be replaced with the appearance of wear. DURASTEP does not only protect the front edge of the stairs but also visually enhances the staircase. The DURASTEP standard profiles are provided with a 5-year guarantee on the PVC-Top.

## MATERIAL:

The following colours are available for the DURASTEP standard profiles of PVC: white, beige, black, brown and grey. The profiles consist of an aluminium carrier profile and a PVC lining. The invisible bottom part is made of hard plastic, the anti-skid surface of soft plastic. The width of the profile is of 25 mm.

## PROPERTIES:

The DURASTEP standard profiles were developed for the application in areas which are of reduced use. This includes domestic areas and smaller size offices. The profiles are resistant against chemical stresses which generate during the laying of tiles. Damages by bending or scratching are improbable in case of normal use.

The step nosing profiles can be used wherever unusual chemical reactions are not to be expected. To prevent corrosion care must be taken with the application of cement and mortar. Since aluminium is sensitive to alkaline materials, mortar, tile adhesive and grout must be cleaned immediately from all visible surfaces. The profile needs to be thoroughly embedded in the contact layer. This prevents the formation of air pockets where alkaline solutions of water could collect.

DURAL GmbH & Co. KG

Südring 11

D-56412 Ruppach-Goldhausen

Tel. +49 (0) 2602/9261-0

Fax +49 (0) 2602/9261-50

welcome@dural.de



[www.dural.com](http://www.dural.com)

# DURASTEP Standard

2/2

## Anti-slip step nosing for ceramic tiles Width: 25 mm

**DURAL**

For all products and materials, the following applies: The suitability of the material with regard to the expected mechanical loading and chemical exposure must be investigated carefully in each individual case. The generally recognised rules of good engineering practice must always be observed!

### HANDLING:

1. Select the DURASTEP standard profile according to the thickness of tiles.
2. Place the lining material in the right height at the raiser.
3. Apply tile cement in the edge area using a toothed trowel.
4. Press the carrier profile completely into the cement bed and align the front edge flush with the tile of the raiser.
5. Completely cover the fastening legs.
6. Now, press the tiles tightly in and align them flush with the upper profile edge. Place tiles well embedded.
7. Leave a joint of 2 mm between tile and profile.
8. Completely fill the space between tiles and profile with joint mortar.

### CARE:

DURASTEP standard profiles do not need any special care. Dirt deposits can be removed with the usual commercial cleaning materials. The cleaning materials have to be free of hydrochloric acid and hydrofluoric acid and must not be abrasive.

### PRODUCT DATA:

<b>MATERIAL:</b>	Aluminium with insert of PVC
<b>INSERT COLOUR:</b>	white / beige / black / brown / grey
<b>LENGTH:</b>	100 / 250 cm
<b>HEIGHT:</b>	7 / 9 / 11 mm
<b>VISIBLE WIDTH:</b>	25 mm

DURAL GmbH & Co. KG

Südring 11

D-56412 Ruppach-Goldhausen

Tel. +49 (0) 2602/9261-0

Fax +49 (0) 2602/9261-50

welcome@dural.de