

Since the usage and finishing of the product is not under our control, we accept no liability for the success of the work and can therefore only guarantee the nature of our products as per the accompanying product data sheets and in accordance with our general terms and conditions of sale. The properties listed here represent no guarantee with respect to the eventual use of our products. We reserve the right to make changes due to technical advances. Any other technical information given in the course of a consultation must be confirmed in writing. Colours shown here are restricted by the printing techniques and may differ from those exhibited by the products themselves. We also reserve the right to make alterations to the product technology or design. Only the current version of this data sheet is valid. Such versions are accessible by anyone via the internet. The issue of the latest data sheet invalidates all those that have been published beforehand.

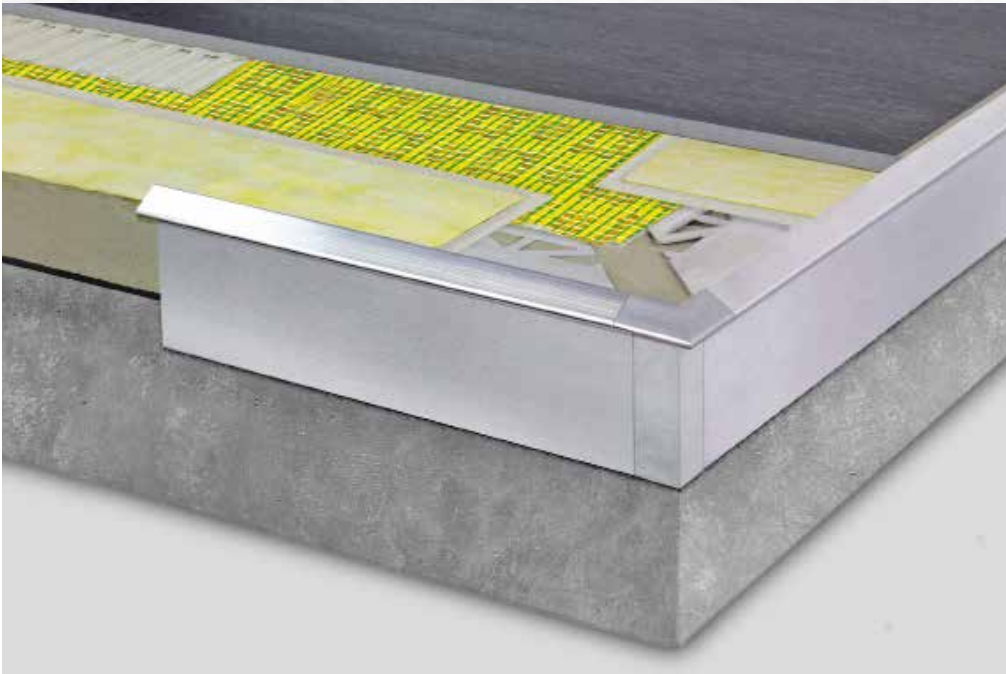
DURABAL BK

1/3

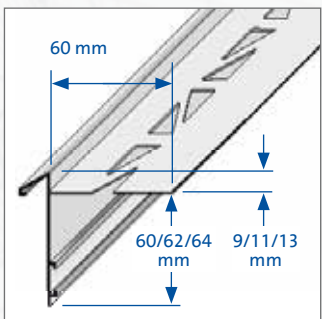
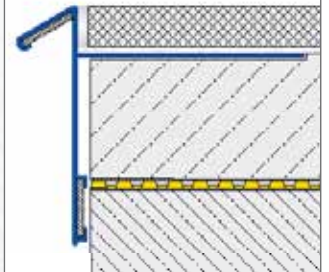
Balcony angle profile with drip edge

- Information Sheet -

DURAL



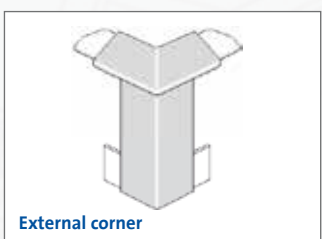
With 60 mm facing



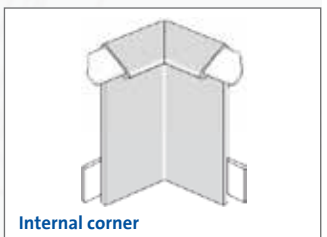
PROPERTIES AND INSTALLATION:

The DURABAL-BK edge profile is made of anodized aluminium and has an inclined drip edge. DURABAL-BK edge profiles provide the optimum finish for balcony and patio edges with regard to both visual appeal and technical maturity. Dural BK profiles are available with a vertical facing height of 18 / 20 / 22 or 60 / 62 / 64 mm, allowing the entire visible edge of the balcony construction (depending on the flooring height) to be concealed and effectively sealed against moisture, dirt and the growth of moss.

Before the tiles are laid, the DURABAL-BK edge profiles are pressed into the combed thin-bed mortar (DIN EN 12004 / C2) along their entire length and properly aligned. For humidity regulation purposes, an adequate gap must be left between the vertical facing section of the profile and the edge of the balcony.



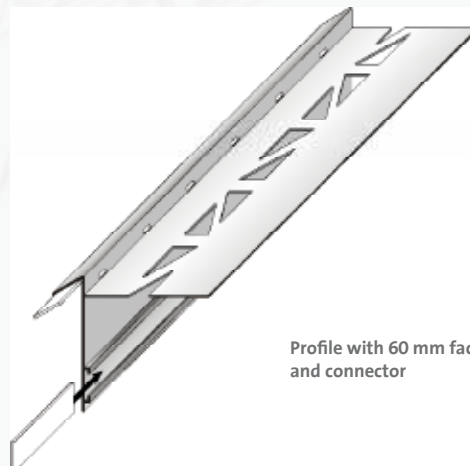
External corner



Internal corner



Connector



Profile with 60 mm facing height and connector

DURAL GmbH

Südring 11

D-56412 Ruppach-Goldhausen

Tel. +49 (0) 2602/9261-0

Fax +49 (0) 2602/9261-50

info@dural.com

Balcony angle profile with drip edge

- Information Sheet -

The DURABAL-BK edge profiles are joined together using special aluminium connectors, which prevent unsightly steps in the profile alignment at the butt joints. A small gap of approximately 1 mm must be left between the ends of the profiles to prevent stresses in the material.

Specially manufactured corner pieces are used to create elegantly and optimally designed inside and outside corners. The corner pieces can be used with flooring heights of 9, 11 and 13 mm.

THE DURABAL-BK edge profiles can also be used to face the vertical edges of balconies and patios. Before the tiles are laid, the whole surface of the profile's perforated web must be taped over using WP 150 sealing strips, bonded with thin-bed mortar (DIN EN 12004 / C2). If a decoupling mat is to be used beneath the tiles, this should be laid up to the horizontal web, with no overlap. In this case, the WP 150 sealing tape must be bonded across the full area of the horizontal web and the decoupling mat.

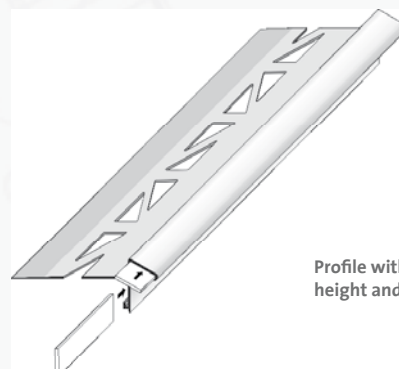
The floor tiles are laid flush to the top edge of the profile, with a 5-mm-wide joint. This joint is then sealed with a neutral cross-linking silicone rubber sealant.

MATERIAL:

The DURABAL-BK edge profiles are made of anodized solid aluminium and have an inclined drip edge. The height of the profile's vertical facing is 18 / 20 / 22 or 60 / 62 / 64 mm. Both of these profiles have a perforated horizontal web that is 60 mm wide, whereby part of the width (37 mm) is not perforated. The drip edge is 17 mm wide and is inclined at an angle of 45°. Its front edge is folded back in a U-shape to hold a connector in place.

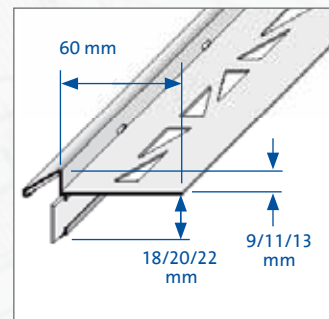
CLEANING AND CARE:

When installing the DURABAL-BK edge profiles and when laying and grouting the joints, all grout or adhesive residues must be removed immediately from the visible aluminium surfaces to prevent staining. The same applies to all other materials that do not have neutral chemical properties.

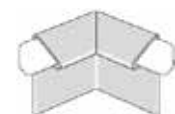


Profile with 18 mm facing height and connector

With 18 mm facing



External corner



Internal corner

Connector



DURAL GmbH

Südring 11

D-56412 Ruppach-Goldhausen

Tel. +49 (0) 2602/9261-0

Fax +49 (0) 2602/9261-50

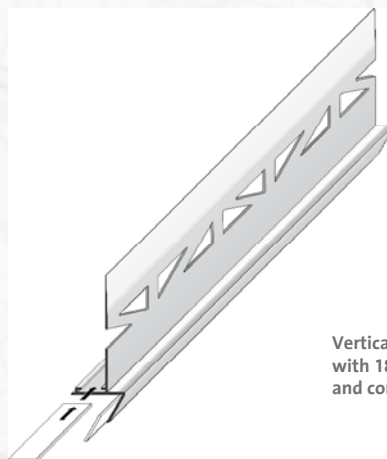
info@dural.com

Balcony angle profile with drip edge

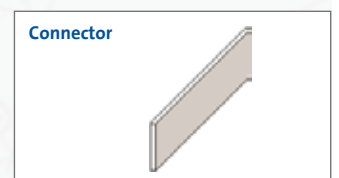
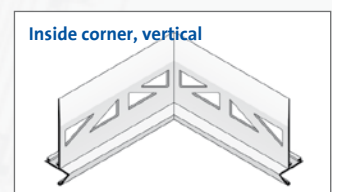
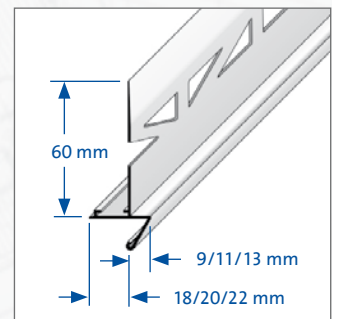
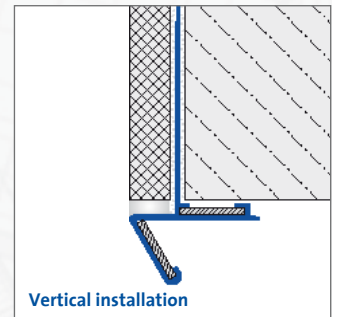
- Information Sheet -

Care must also be taken to ensure that cement removers used to clean the surface of the ceramic tiles do not come into contact with the surface of the profiles. Protective measures must be taken, in this case, to prevent any damage to the surface.

To conserve the elegant appearance of the profiles in the long term, we recommend regular cleaning using a neutral cleaning agent (with a pH value between 6.5 and 7.5) that is non-abrasive. As a rule, regular cleaning with lukewarm water and a clean linen cloth is sufficient.



Vertically installed profile with 18 mm facing height and connector



PRODUCT DATA:

MATERIAL:	Anodized aluminium, silver
THICKNESS OF ANODIZED LAYER:	Approx. 15 µm, in line with DIN 17611.
PROFILE LENGTH:	300 cm
HEIGHT:	Flooring height: 9 / 11 / 13 mm Facing height: 18 / 20 / 22 mm or 60 / 62 / 64 mm
WIDTH OF HORIZONTAL WEB:	60 mm
TYPE OF USE:	Balcony edge profile with drip edge, for horizontal or vertical installation
MANUFACTURE:	In accordance with DIN EN 755-1, "Aluminium and aluminium alloys – Extruded rod/bar, tube and profiles - Part 1: Technical conditions for inspection and delivery".
COEFFICIENT OF THERMAL EXPANSION:	Aluminium = $10^{-6} \times 24 / ^\circ\text{C}$

DURAL GmbH
 Südring 11
 D-56412 Ruppach-Goldhausen
 Tel. +49 (0) 2602/9261-0
 Fax +49 (0) 2602/9261-50
 info@dural.com