

Since the usage and finishing of the product is not under our control, we accept no liability for the success of the work and can therefore only guarantee the nature of our products as per the accompanying product data sheets and in accordance with our general terms and conditions of sale. The properties listed here represent no guarantee with respect to the eventual use of our products. We reserve the right to make changes due to technical advances. Any other technical information given in the course of a consultation must be confirmed in writing. Colours shown here are restricted by the printing techniques and may differ from those exhibited by the products themselves. We also reserve the right to make alterations to the product technology or design. Only the current version of this data sheet is valid. Such versions are accessible by anyone via the internet. The issue of the latest data sheet invalidates all those that have been published beforehand.

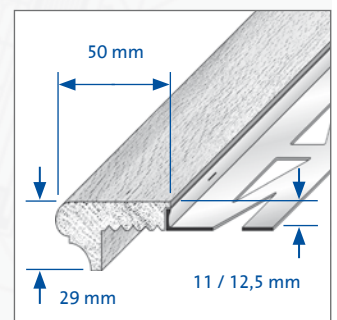
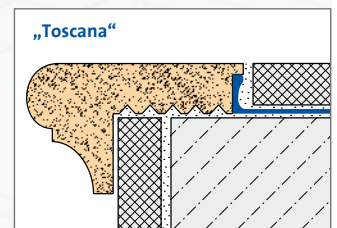
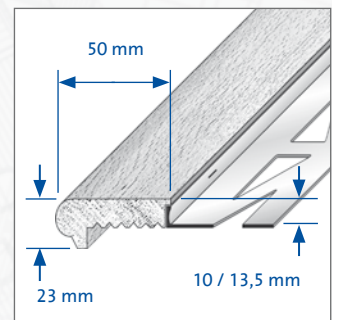
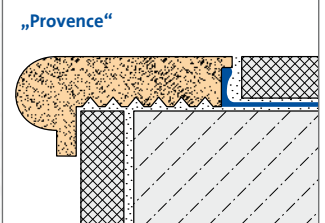
DURASTEP WOOD

1/2

Staircase profiles with a wooden tread surface for Mediterranean flair

- Information Sheet -

DURAL



APPLICATION:

DURASTEP WOOD profiles from DURAL are extraordinary staircase profiles for use indoors and outdoors (depending on version). DURASTEP WOOD not only protects the front edge of the stairs but also provides visual embellishment to the steps.

MATERIAL:

The DURASTEP WOOD profiles for indoor use (Toscana, Provence) are made of European oak and feature a tread surface with a finely textured grain. The wood has a maximum residual moisture of 8% and therefore is practically non-shrinking. DURASTEP WOOD Garden and Garden type S profiles are made of hard sipo-mahogany wood and are therefore idea for outdoor areas. The visual surface of the profile is 50 mm in width and the carrier profile consists of a DUROSOL angle profile with an extra-wide contact base. DURASTEP WOOD Linear is available in both European oak or wenge for use indoors and in sipo-mahogany wood for outdoor areas. The carrier profile is DUROSOL 5mil.

PROPERTIES:

The DURASTEP WOOD profiles (Toscana, Provence) and Linear (oak/wenge) were developed for all application areas that are not subject to frequent use. This includes residential areas and less used public areas. DURASTEP WOOD Garden and Garden type S profiles are made of hard sipo-mahogany wood and are thus idea for use outdoors. In normal use, they are unlikely to suffer damage. All types of wood may show typical signs of wear and tear eventually due to the consistency of wood. The wood is not treated. Therefore care should be taken when laying to ensure that the surface is protected against any materials (including water) used during the laying process. It is recommended that the surface of the oak profiles be painted or varnished beforehand. The profiles are embedded firmly in the flooring surface. The contact base is extra wide and ensures optimum bonding to the tiled surface.

DURAL GmbH

Südring 11

D-56412 Ruppach-Goldhausen

Tel. +49 (0) 2602/9261-0

Fax +49 (0) 2602/9261-50

info@dural.com

Staircase profiles with a wooden tread surface for Mediterranean flair

- Information Sheet -

As the carrier profile is made of aluminium, the following should be taken into consideration: the staircase profiles can be used in any location where no exceptional chemical reactions are to be expected. To avoid corrosion, careful handling of cement-based materials is required. Aluminium is sensitive to alkaline materials. The profile must be completely embedded into the contact layer. This prevents the formation of cavities where alkaline solutions of water might accumulate.

The suitability of the profile with respect to mechanical and chemical loads must be checked carefully in each individual installation case.

PROCESSING:

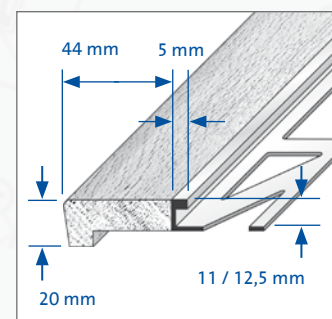
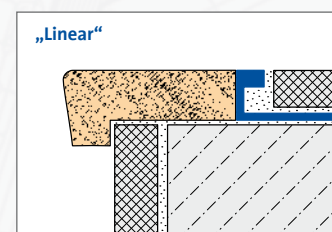
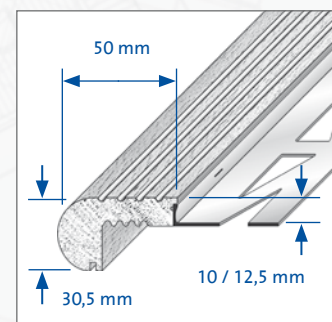
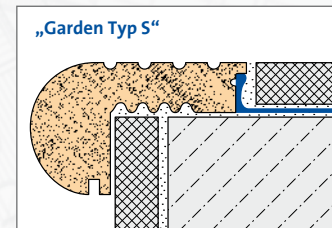
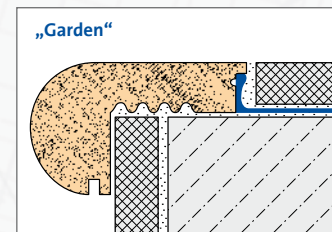
1. Select the DURASTEP WOOD profile according to the tile thickness. It is essential that the wooden surface is taped. Make sure that mortar and water cannot come into contact with the wood, as this may cause staining and swelling
2. Place the surface material at the riser at the correct height
3. Use a notched trowel to apply tile adhesive to the aluminium edge area only
4. Apply an even layer of polyurethane adhesive to the entire underside of the wooden profile and across the entire sub-surface
5. Press the DURASTEP WOOD profile firmly into both adhesive areas and align the front edge flush with the riser tile
6. Completely trowel over the aluminium edge and comb the adhesive using a serrated trowel
7. Then press the tiles in firmly and align flush with the upper profile edge. Use the solid bed procedure to embed the tiles thoroughly
8. Leave a joint of 2–3 mm between the tile and profile.
9. Completely fill the space between tiles and profile with grout. Remove the protective film if necessary
10. Apply the appropriate treatment to the wooden surface (stain, varnish, etc.)

CARE:

DURASTEP-WOOD profiles are supplied untreated, to give users the opportunity to carry out their own choice of finish, e.g. staining or varnishing. Always observe the care instructions provided by the wood treatment product manufacturer.

PRODUCT DATA:

MATERIAL:	„Toscana“ / „Provence“ = Oak (for indoor areas), „Garden“ / Garden S“ = Sipo-mahogany (for outdoors), „Linear“ = Oak, mahogany, wenge (for indoors), „Linear“ = Sipo-mahogany, Aluminium (for outdoors)
LENGTH:	100 / 250 cm
PROFILE HEIGHT:	„Toscana“ / „Provence“ = 10 / 13,5 mm „Garden“ / Garden S“ = 10 / 12,5 mm „Linear“ = 11 / 12,5 mm
VISIBLE WIDTH:	„Toscana“ / „Provence“ / „Garden“ / „Garden-S“ = 50 mm, „Linear“ = 44 mm (wood) + 5 mm (aluminium)



DURAL GmbH

Südring 11

D-56412 Ruppach-Goldhausen

Tel. +49 (0) 2602/9261-0

Fax +49 (0) 2602/9261-50

info@dural.com